

# 38245-PS

## 3.3V, 5V, 12V Fixed Output + 1 Adj. Output Power Supply

3 Fixed & 1 Adjustable Quad Output Power Supply module with over Current, Temperature and Reverse Polarity Protection.

Outputs can be used independently or in unison.

**NOTE:** See Minimum Input voltage for each Output -- Input & Outputs share a common Minus (- /Gnd)

### Input/Output Requirements:

3.3V Output: Input 4.5Vmin-30Vmax

5V Output: Input 6.5Vmin-30Vmax

12V Output: Input 13.5min-30Vmax

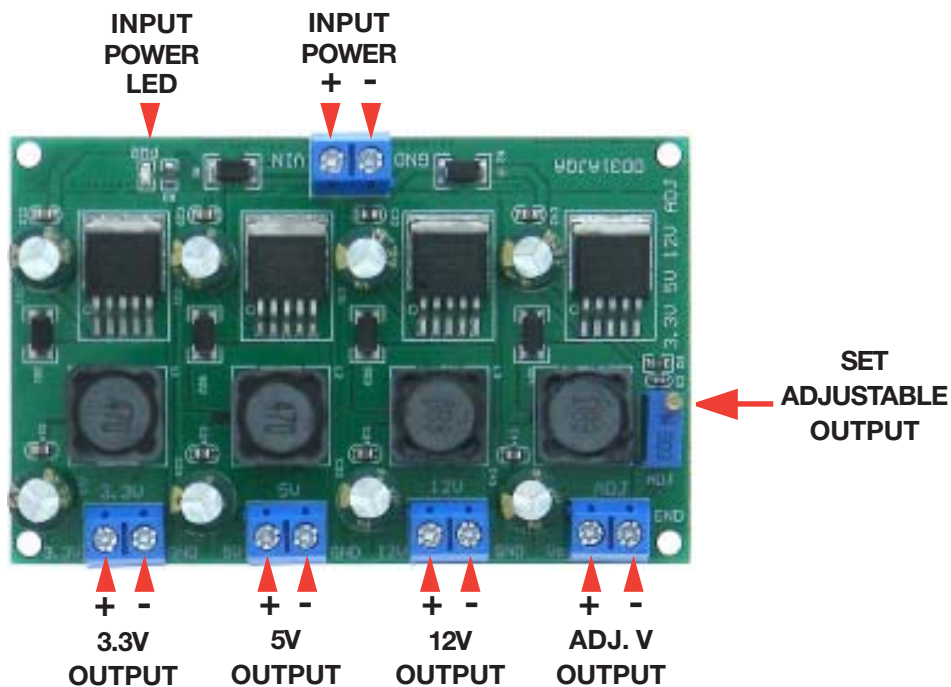
Adjustable Output 2-28V: Input ~2Vmin Higher than Output Setting-30Vmax

**Single Output:** 3A Max

**Total Output:** 50W Maximum

Connections: Terminal Strips

**L:** 88mm (3-1/2") **W:** 55mm (2-1/4") **H:** 15mm (5/8") **WT:** .13



Information including Drawings, Schematics, Links and Code (Software) Supplied or Referenced in this Document is supplied by MPJA inc. as a service to our customers and accuracy or usefulness is not guaranteed nor is it an Endorsement of any particular part, supplier or manufacturer. Use of information and suitability for any application is at users own discretion and user assumes all risk.

Information Subject to Change Without Notice  
All rights are retained by the respective Owners/Author(s)



**MARLIN P. JONES & ASSOC., INC.**

P.O. Box 530400 Lake Park, FL 33403  
800-652-6733 FAX 561-844-8764  
WWW.MPJA.COM